

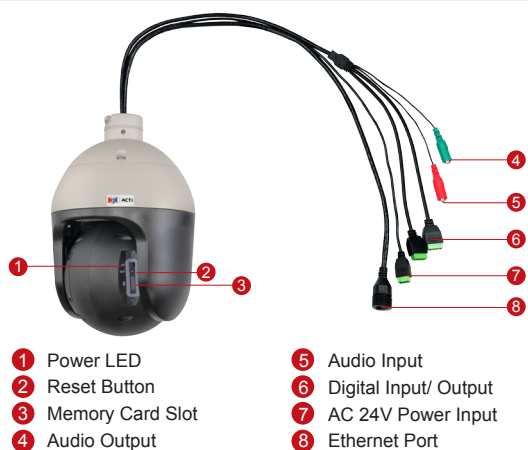
# B949

2MP Outdoor Speed Dome with D/N, Adaptive IR, Extreme WDR, SLLS, 30x Zoom Lens

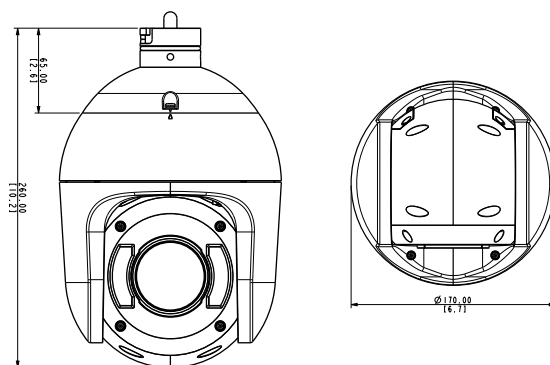


- 2 Megapixel with 1080p
- Day & Night with Superior Low Light Sensitivity and Adaptive IR LED
- 30x Zoom Lens with f4.5-135mm / F1.6-4.4, DC Iris, Auto Focus
- Extreme WDR (145 dB)
- 60 fps at 1920 x 1080
- Endless Pan & Tilt
- Weatherproof (IP66) and Vandal Proof Metal Casing (IK10)

## PHOTO INDICATION



## DIMENSION DIAGRAM



Unit: mm [inch]

## ACCESSORY OPTIONS

High PoE Injector		
PPOE-0102		High PoE Injector with universal connector

Popular Mounting Solutions		
Wall	PMAX-0312 PMAX-0702	
Pendant	PMAX-0102	
Corner	PMAX-0312 PMAX-0702 PMAX-0402	
Pole	PMAX-0312 PMAX-0702 PMAX-0503	
Parapet	PMAX-0808	

\* For more mounting solutions, please refer to Project Planner on [www.acti.com](http://www.acti.com)

**PRODUCT SPECIFICATION****• Device**

Product Type	Outdoor Speed Dome
Image Sensor	Progressive Scan CMOS
Sensor Size	1/2.8"
Effective Pixels	1944 (H) x 1224 (V) (2.38 MP)
Horizontal Resolution	1450 TVL
Day / Night	Yes
Low Light Sensitivity	Superior
Minimum Illumination	Color: 0.1 lux at F1.6 (30 IRE, 2400°K); B/W: 0 lux at F1.6 (30 IRE, 2400°K)
Color to B/W Switch	ISP based switch, configurable
Mechanical IR Cut Filter	Yes
IR Sensitivity Range	700- 1100nm
IR LED	Adaptive IR LED (Object & Zoom Adaptive IR LED)
IR Working Distance	150 m (0 lux, 30 IRE, Gain 255, Auto shutter mode)
Electronic Shutter	1/5 - 1/2,000 sec (manual mode); 1/5 - 1/10,000 sec (auto mode)
S/N Ratio	56 dB

**• Lens**

Focal Length	Zoom, f4.5 - 135mm / F1.6 - 4.4
Zoom Ratio / Speed	30x optical / 2.4 sec (tele to wide), 16x digital
Zoom Application	Camera installation; Auto zoom by event; Manual operation
Iris	DC iris
Focus	Auto focus
Horizontal Viewing Angle	61.4° - 3.6°

**• PTZ**

Scan Panning / Tilting Speed	0.16° ~ 32°/s / 0.16° ~ 16°/s
Manual Panning / Tilting Speed	0.16° ~ 54.4°/s / 0.16° ~ 27.2°/s
Preset Panning / Tilting Speed	0.16° ~ 300°/s / 0.16° ~ 150°/s
Panning Range	360° Endless
Tilting Range	-20° ~ 200°
Control	Remote manual control; 256 preset points; 10 preset tours; Auto scan
Preset Panning Accuracy	0.265°
Preset Tilting Accuracy	0.265°
Absolute Position	Yes
Protocol	ACTi URL command, Sony VISCA, Pelco D, Pelco P

**• Video**

Compression	H.264 (Baseline / Main / High profile), MJPEG
Max. Frame Rate vs. Resolution	60 fps at 1920 x 1080; 60 fps at 1280 x 720; 30 fps at 640 x 480; 30 fps at 320 x 240
Multi-Streaming	Simultaneous triple streams based on three configurations
Bit Rate	128 Kbps - 12 Mbps (per stream)
Bit Rate Mode	Constant, Variable
Image Enhancement	Extreme WDR (145 dB); White balance: automatic, hold and manual; Brightness; Contrast; Sharpness; Automatic gain control; 2D+3D digital noise reduction; Flickerless; Defogging; Digital image stabilizer; Shock detection
Privacy Mask	32 configurable regions
Text Overlay	User defined text on video
Image Orientation	Image flip, mirror and rotation
Built-in Analytics	Face Detection, Object Based Motion Detection, Tampering, Shock Detection, PTZ Auto Tracking, Line Crossing, Enter Area, Missing Object, Unattended Object, Loitering

**• Audio**

Audio	2-way (Mic-in, Line-in, Line-out)
Compression	8 kHz, Mono, PCM, 16 bit encoding; G.711
Audio-In / Audio-Out	Cable with 3.5mm phone jack

**• Network**

Protocol & Service	TCP, UDP, HTTP, HTTPS, DHCP, PPPoE, RTP, RTSP, IPv4, IPv6, DNS, DDNS, NTP, ICMP, ARP, IGMP, SMTP, FTP, UPnP, SNMP, Bonjour
Ethernet Port	1, Ethernet (10/100Base-T), RJ-45 connector
Security	IP address filtering; HTTPS encryption; Password protected user level; Anonymous login; IEEE 802.1X network access control

**• Alarm**

Alarm Trigger	Video motion detection (10 regions), External device through digital input, Sound detection, Intelligent event detection,
Alarm Response	Notify control center, Go to PTZ preset point or preset tour, Change camera settings, Command other devices, E-mail notification with snapshots, Play the audio file, Push notification to mobile device, Save video to local storage, Upload video to NVR server, Upload video or snapshot to FTP server, Activate external device through digital output

**• Interface**

Digital Input	4, Terminal block
Digital Output	2, Terminal block
Local Storage	MicroSDHC; MicroSDXC memory card slot (card not included)

**• General**

Power Source / Consumption	High PoE (IEEE802.3at) / 50W ; AC 24V / 62W
Weight	3093 g / 6.75 lb
Dimensions (Φ x H)	170 mm x 260 mm (6.69" x 10.23")
Bundled Accessories	High PoE injector (for USA) or Power Adapter (for other countries)
Environmental Casing	Weatherproof (IP66); Vandal proof metal casing (IK10)
Mount Type	Pendant, Wall, Corner, Pole
Starting Temperature	-40°C ~ 55°C (-40°F ~ 131°F) within 30 minutes
Operating Temperature	-40°C ~ 55°C (-40°F ~ 131°F)
Operating Humidity	10% ~ 85% RH
Approvals	CE (EN 55022 Class B, EN 55024), FCC (Part15 Subpart B Class B), IP66, IK10 (metal casing), NEMA 4X, UL (for bundled power adapter), UL (for bundled PoE injector or power adapter)

**• Integration**

Unified Solution	Fully compatible with ACTi software
ISV Integration	Software Development Kit (SDK) available; ONVIF Compliant; GB28181 Compliant
GPS Position	Manual setting
Firmware Access Browser	IE 11
Auto Firmware Upgrade	Yes